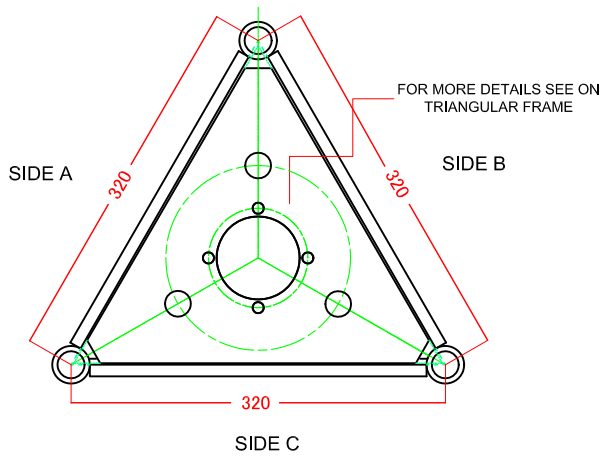
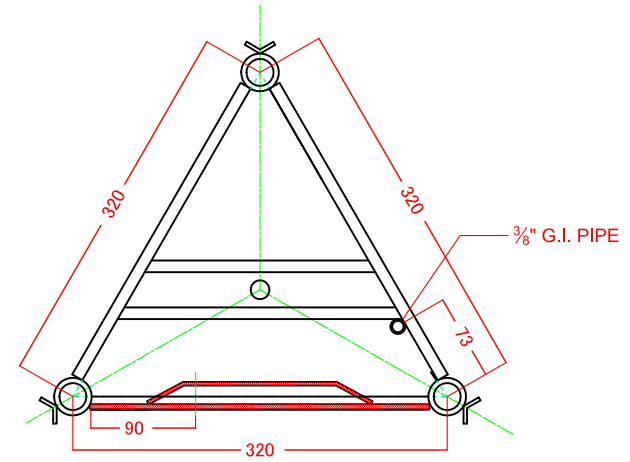


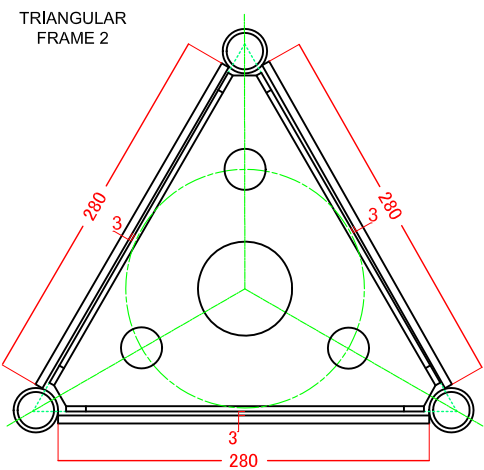
FDX-528	EXTENSION	FTI	
		DRAWN BY: J.FUJIWARA	DATE: JUNE 2015



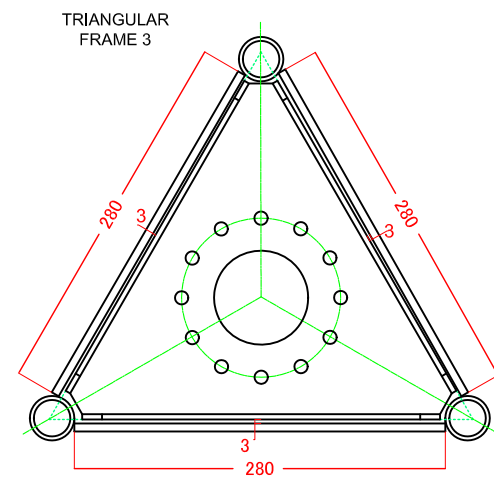
Top View



Bottom View

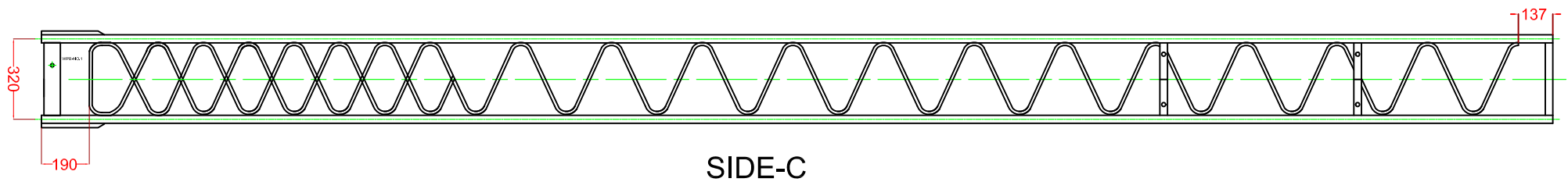
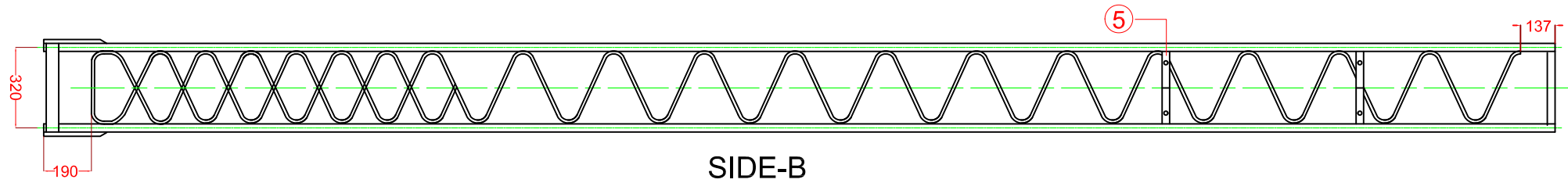
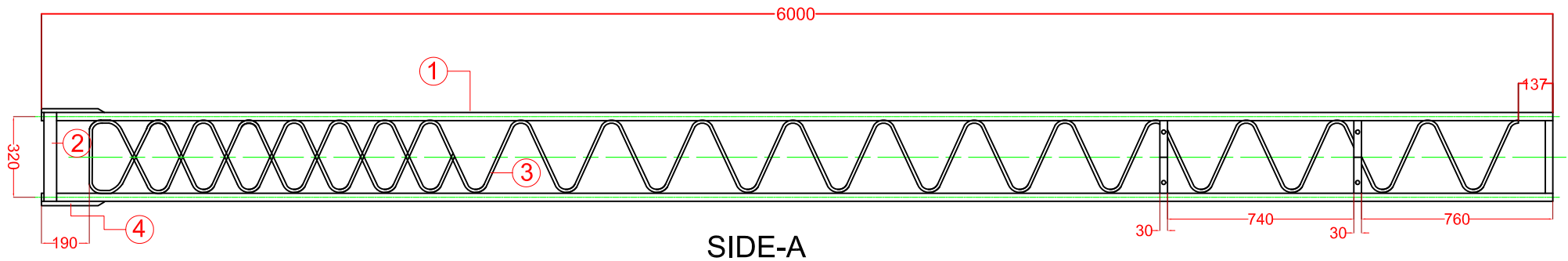


TOWER TRIANGULAR FRAME



BOLTED

FDX-528	5th Column	FTI	
		DRAWN BY: J.FUJIWARA	DATE: JUNE 2015

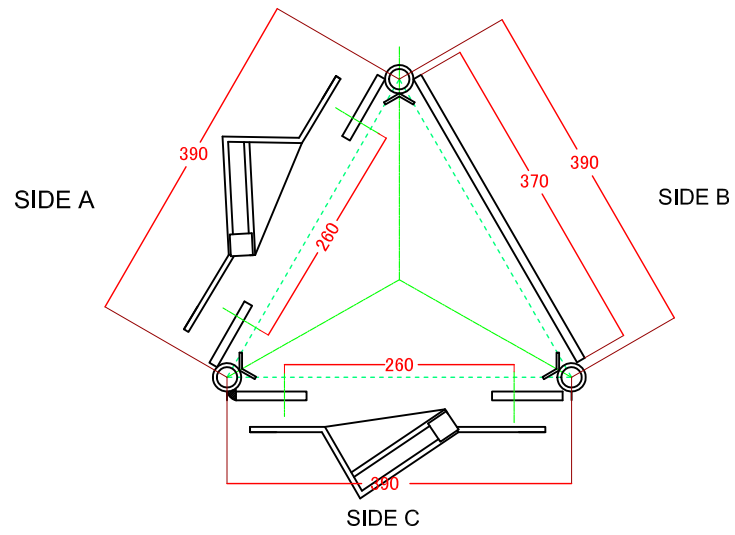


FDX-528

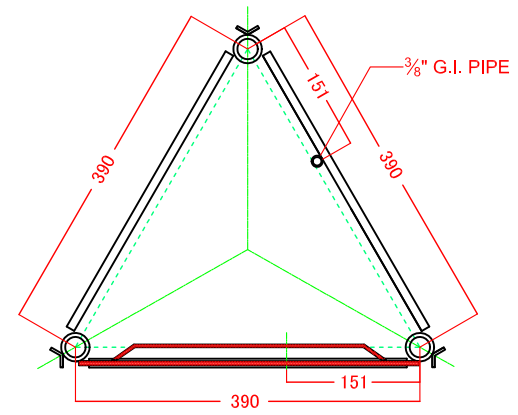
5th Column
SIDE A,B & C DETAILS

FTI

DRAWN BY: J.FUJIIWARA	DATE: JUNE 2015
--------------------------	--------------------



Top View



Bottom View

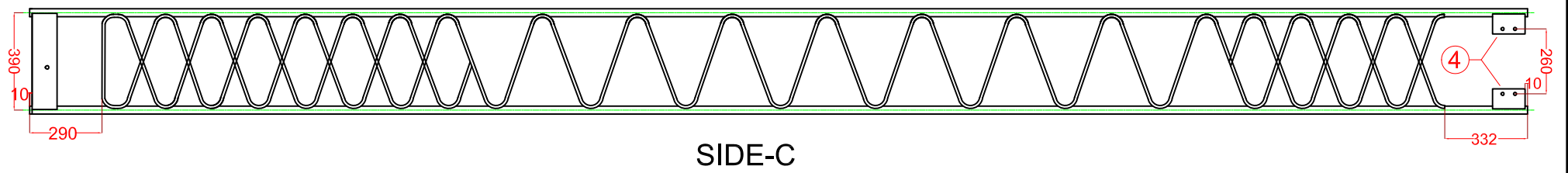
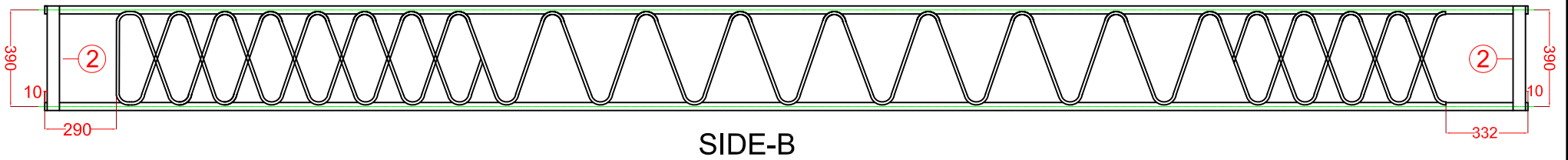
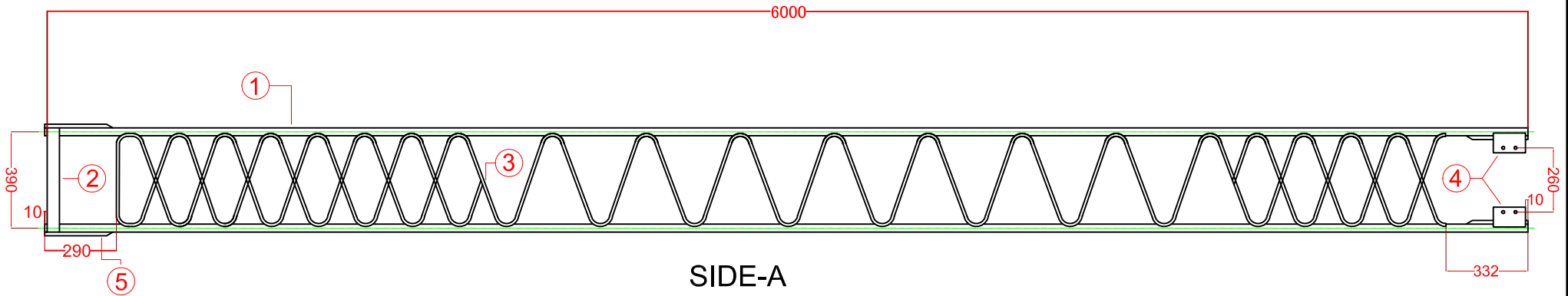
FDX-528

4th Column

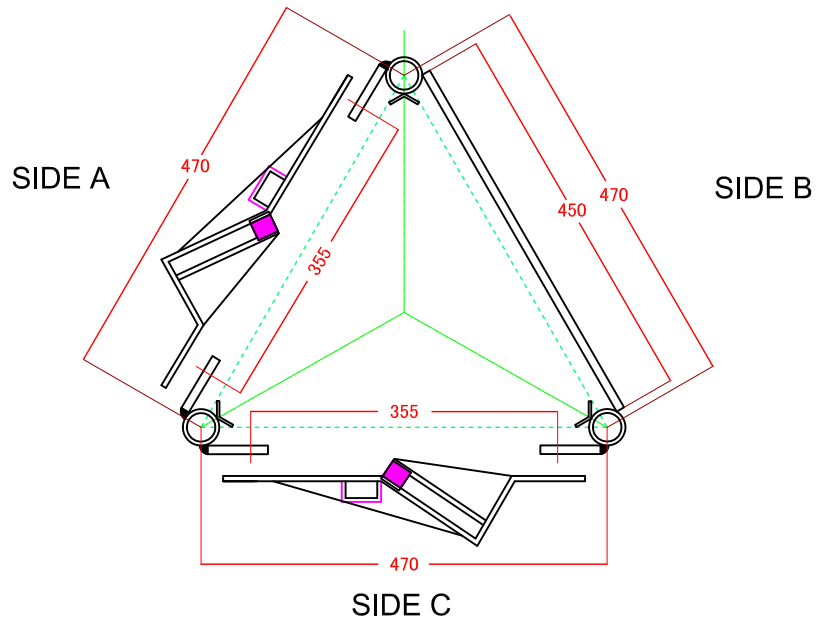
FTI

DRAWN BY:
J.FUJIWARA

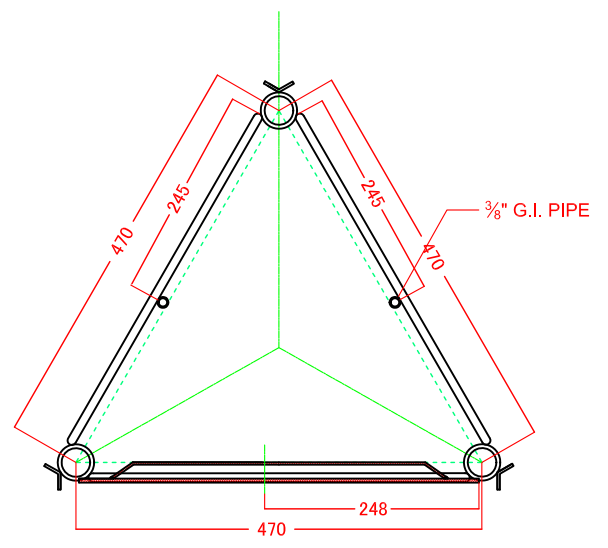
DATE:
JUNE 2015



FDX-528	4th Column SIDE A,B & C DETAILS	FTI	
		DRAWN BY: J.FUJIWARA	DATE: JUNE 2015

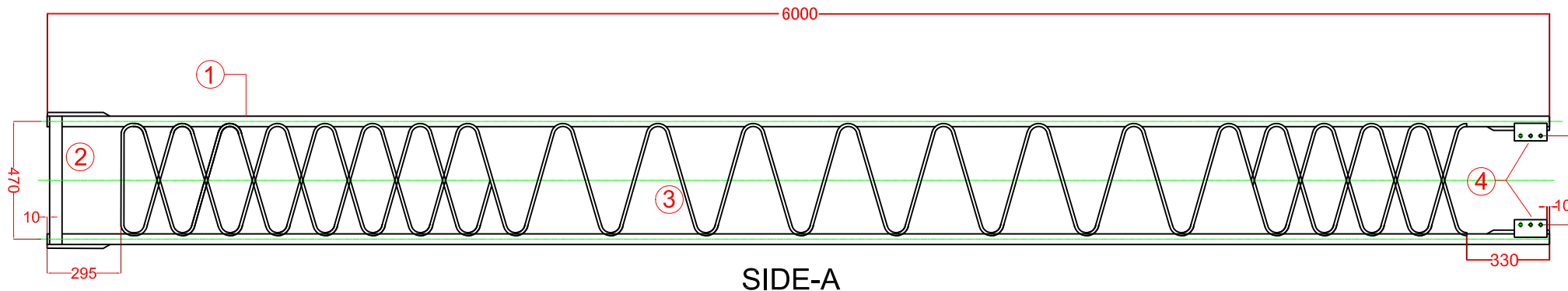


Top View

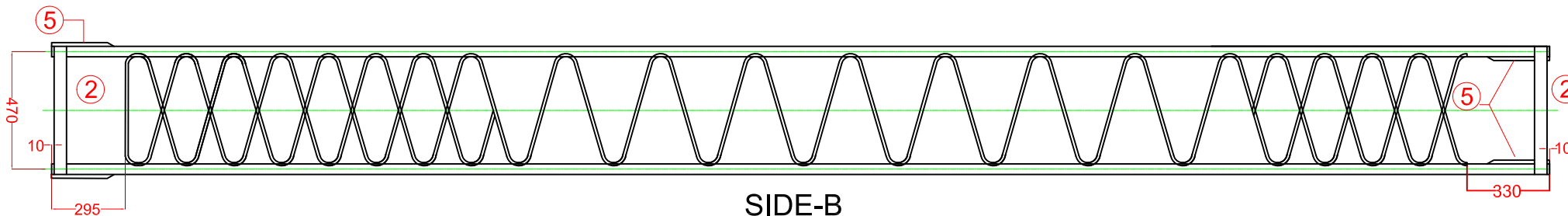


Bottom View

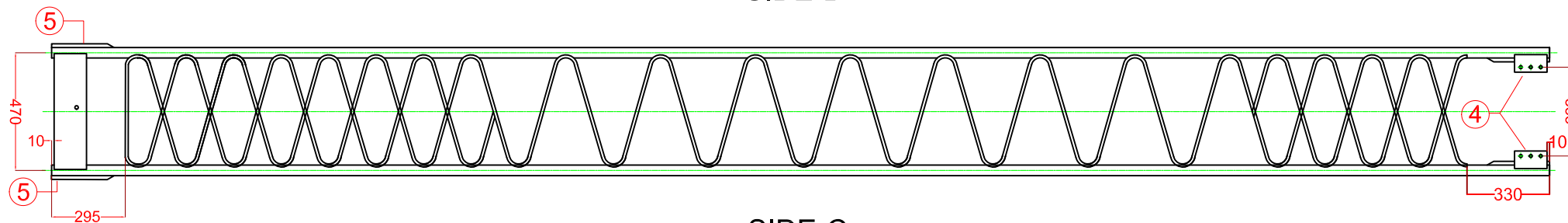
FDX-528	3rd Column	F T I	
		DRAWN BY: J.FUJIWARA	DATE: JUNE 2015



SIDE-A



SIDE-B



SIDE-C

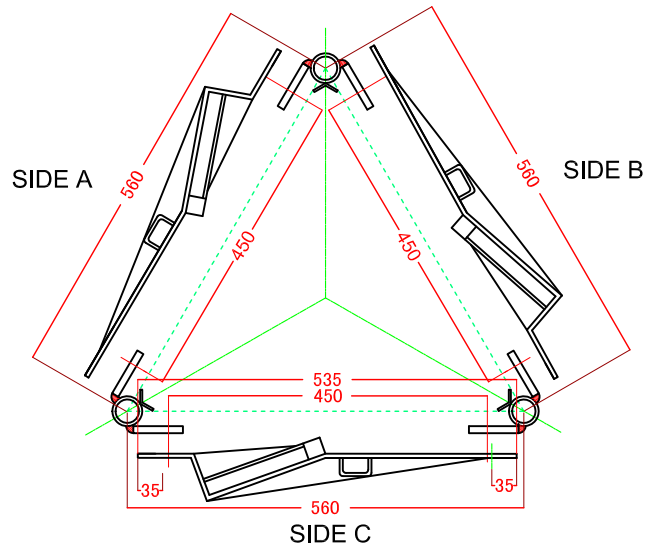
FDX-528

3rd Column
SIDE A,B & C DETAILS

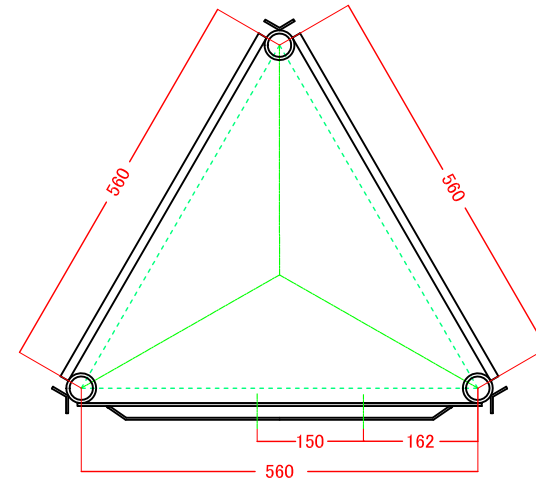
F T I

DRAWN BY:
J.FUJIWARA

DATE:
JUNE 2015

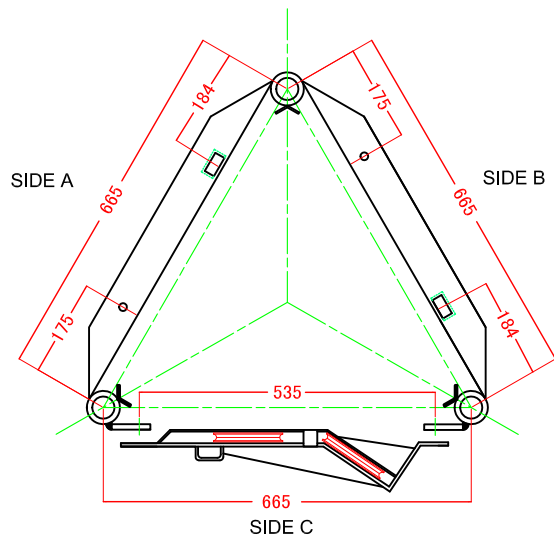


Top View

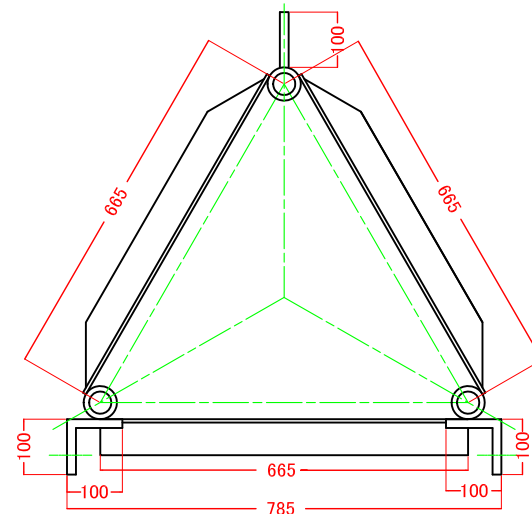


Bottom View

FDX-528	2and Column	FTI	
		DRAWN BY: J.FUJIWARA	DATE: JUNE 2015

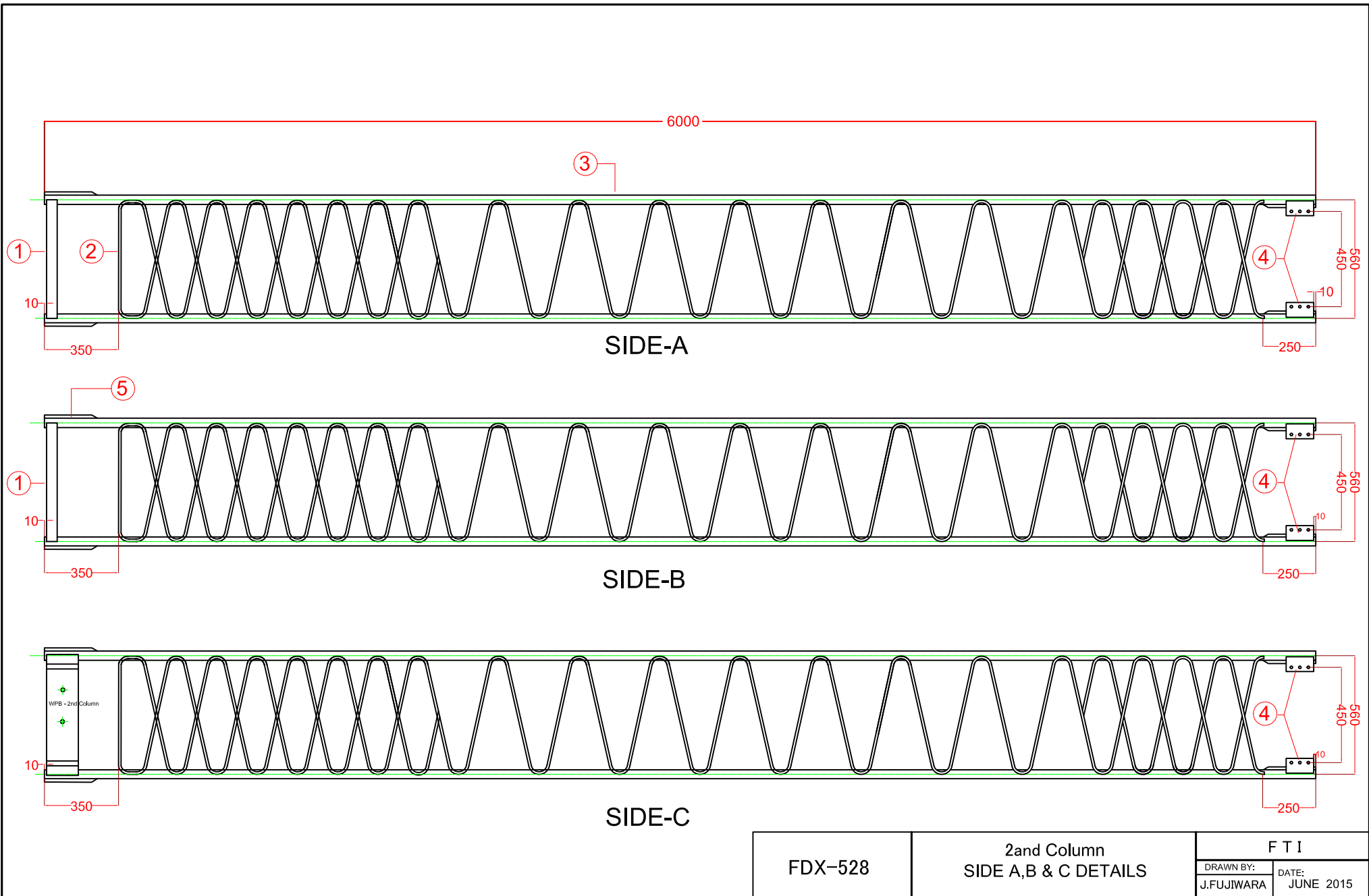


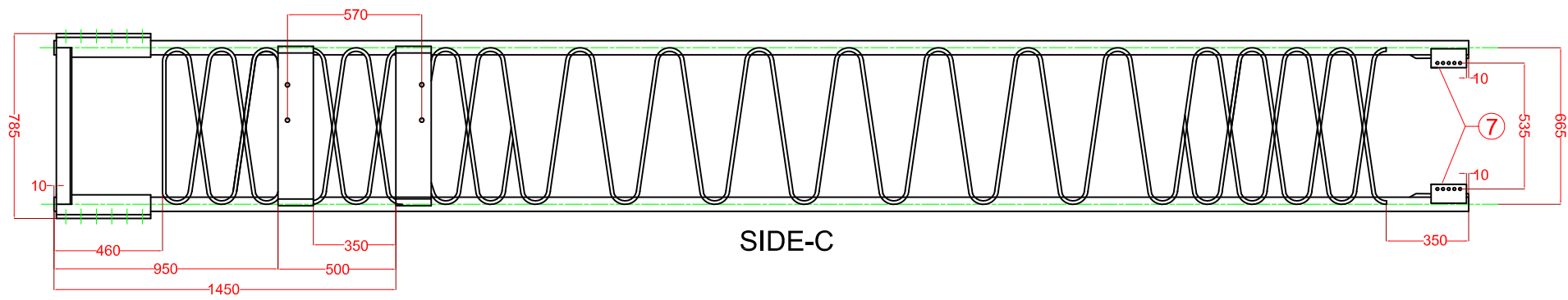
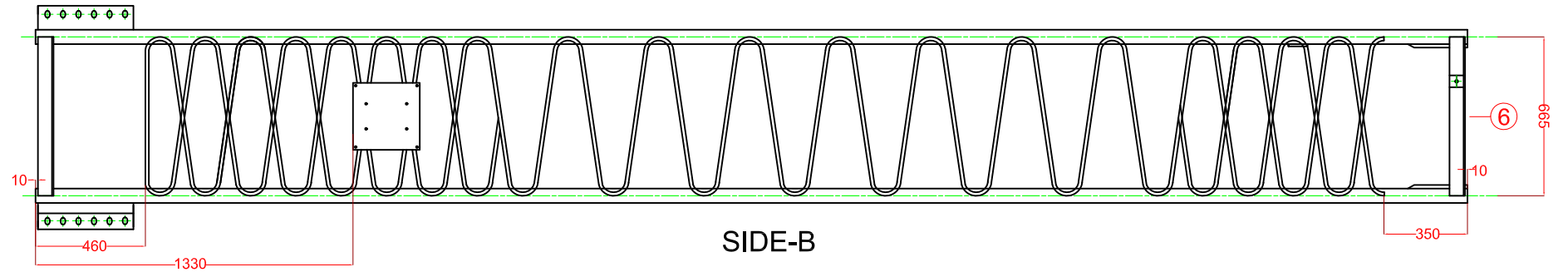
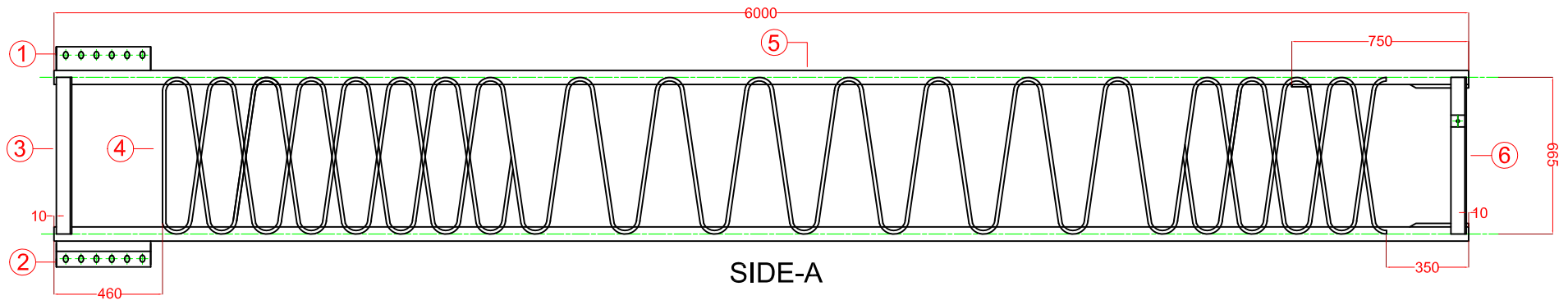
Top View



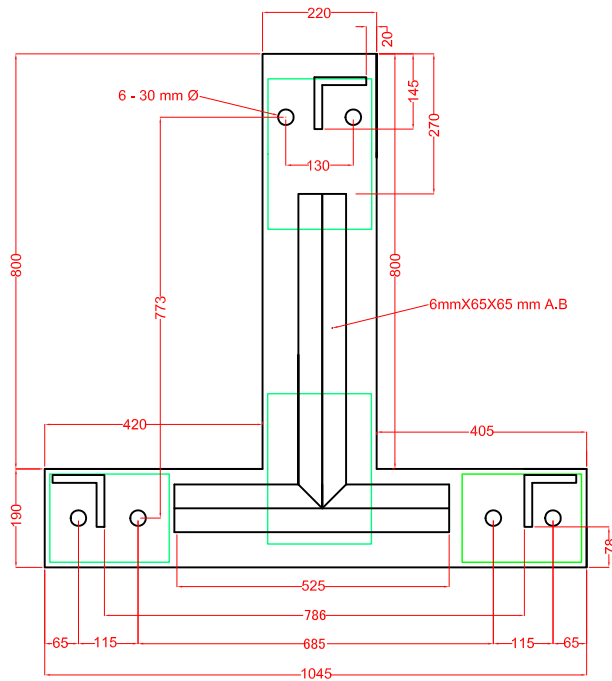
Bottom View

FDX-528	1st Column	F T I	
		DRAWN BY: J.FUJIWARA	DATE: JUNE 2015

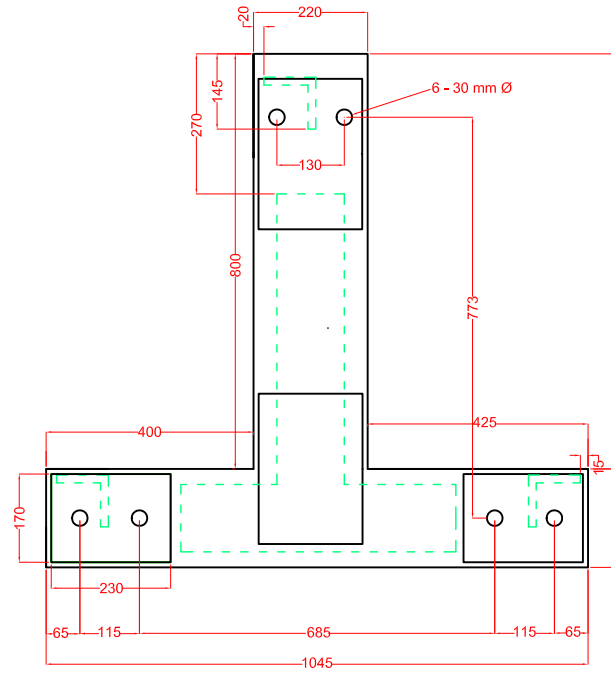




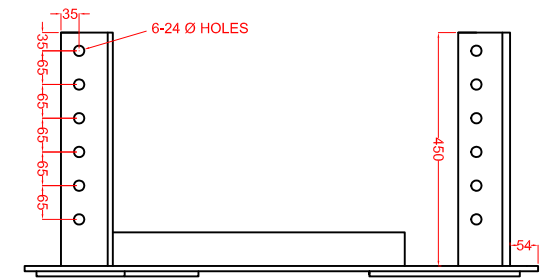
FDX-528	1st Column SIDE A,B & C DETAILS	F T I	
		DRAWN BY: J.FUJIWARA	DATE: JUNE 2015



TOP VIEW



BOTTOM VIEW



REAR VIEW

FDX-528

T-BASE

FTI

DRAWN BY:
J.FUJIWARA

DATE:
JUNE 2015