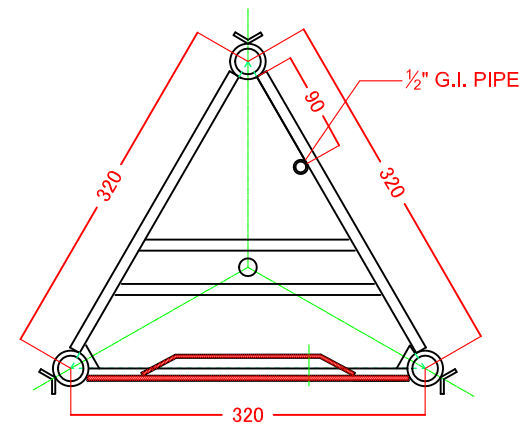
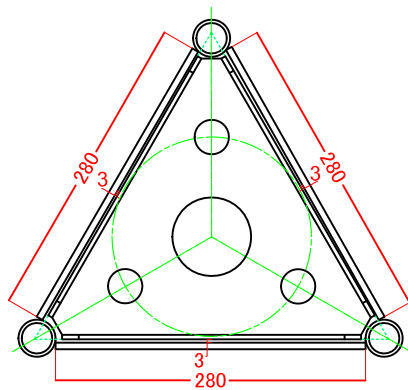


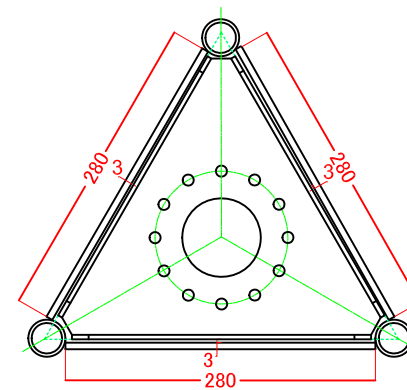
TOP VIEW



BOTTOM VIEW

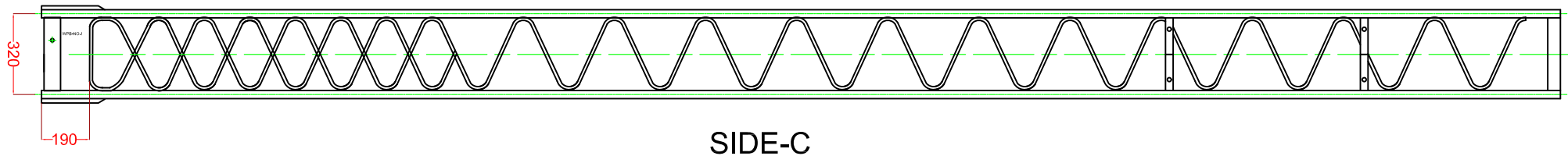
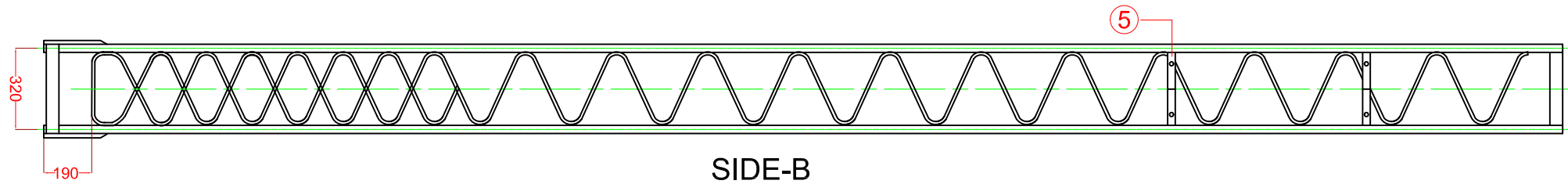
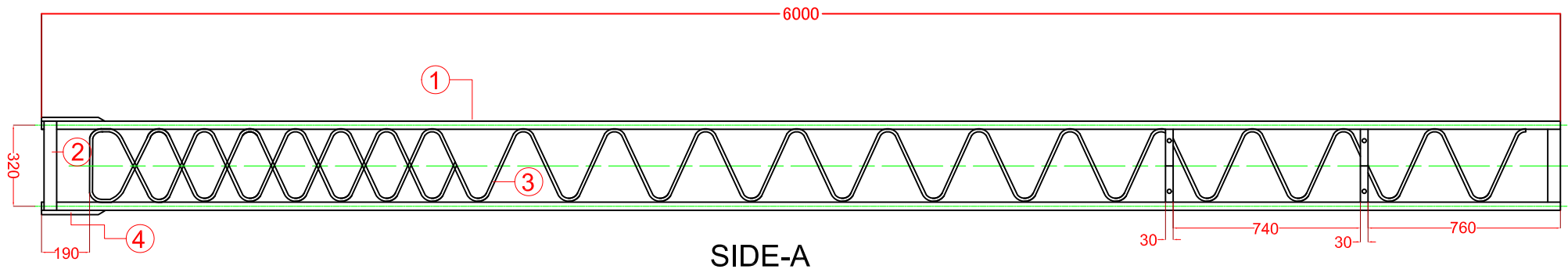


TOWER
TRIANGULAR
FRAME



BOLTED

FDX-421	4th Column TRIANGULAR	F T I	
		DRAWN BY: J.FUJIWARA	DATE: JUNE 2015

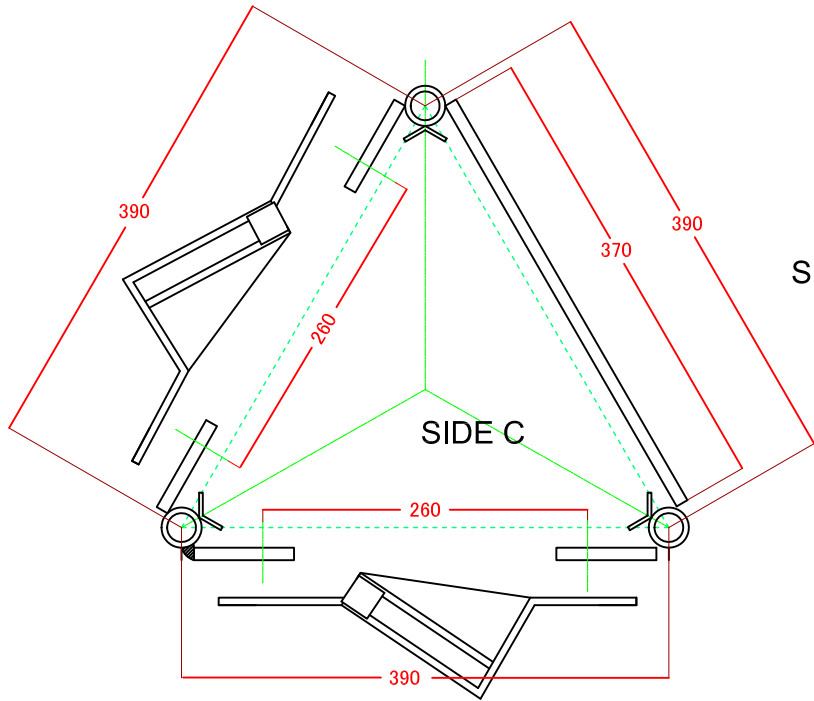


FDX-421	4th Column SIDE A,B & C DETAILS	F T I	
		DRAWN BY: J.FUJIWARA	DATE: JUNE 2015

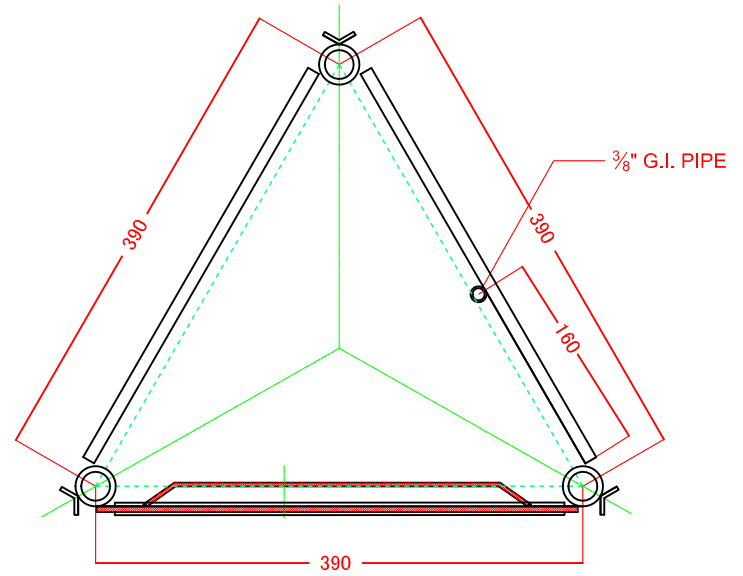
SIDE A

SIDE B

SIDE C

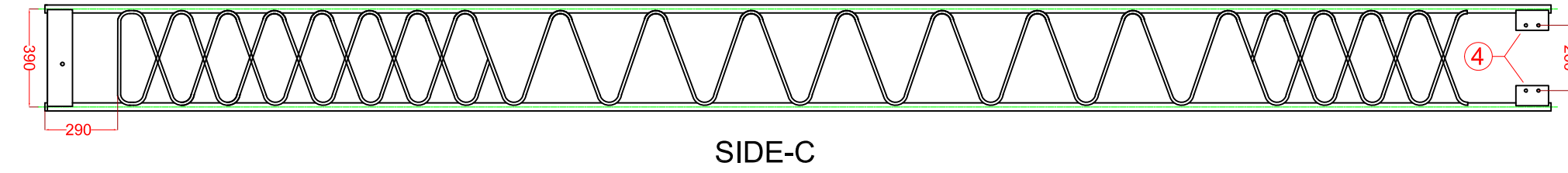
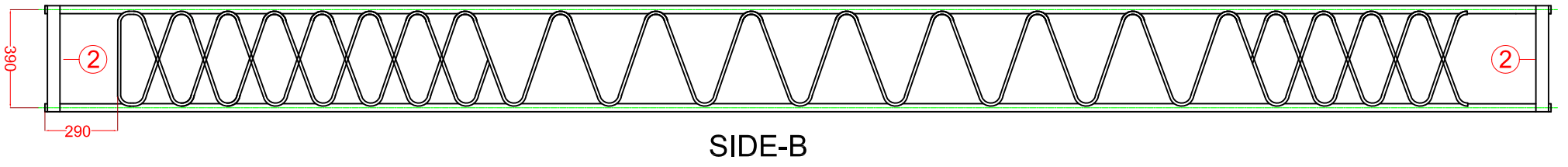
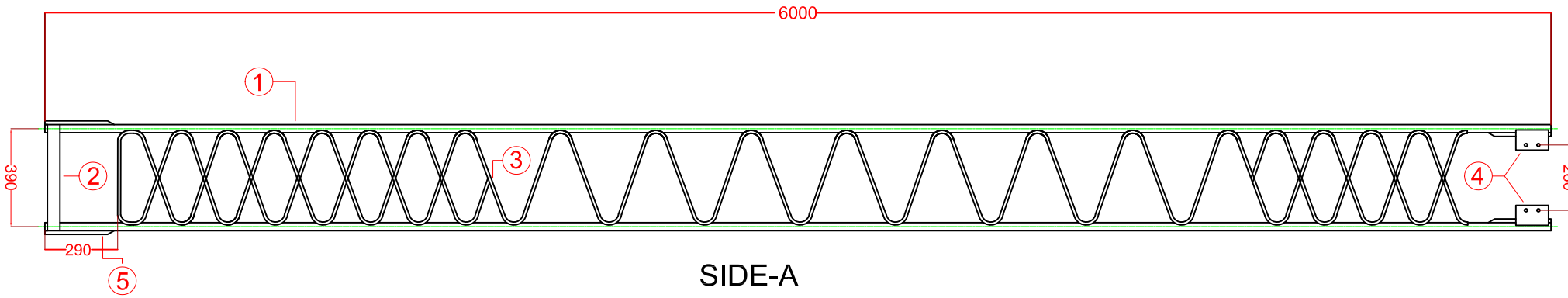


TOP VIEW



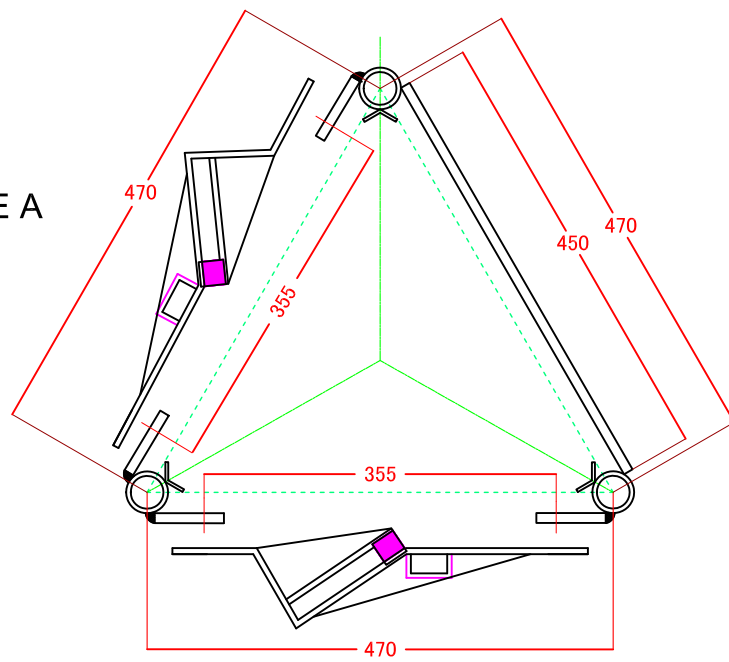
Bottom View

FDX-421	3rd Column	FTI	
		DRAWN BY: J.FUJIWARA	DATE: JUNE 2015

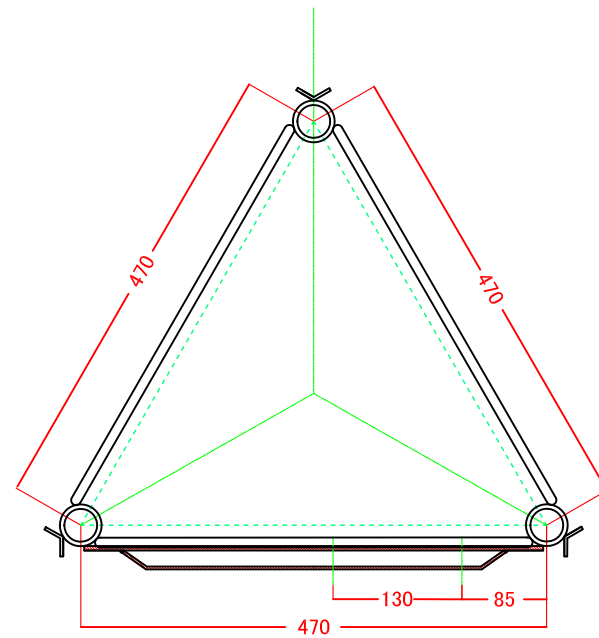


FDX-421	3rd Column SIDE A,B & C DETAILS	F T I	
		DRAWN BY: J.FUJIWARA	DATE: JUNE 2015

SIDE A



SIDE B



SIDE C

TOP VIEW

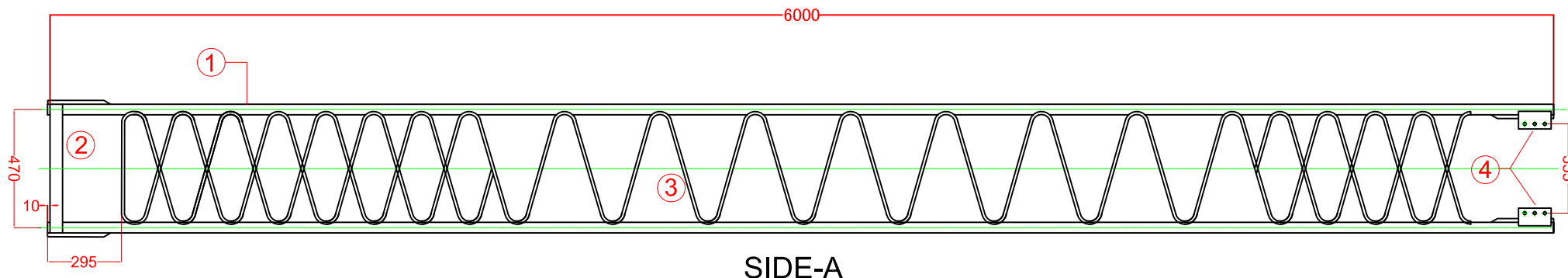
Bottom View

FDX-421

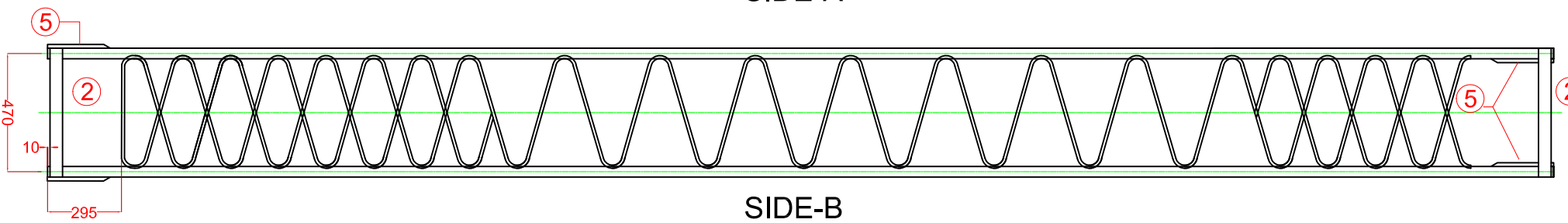
2nd Column

FTI

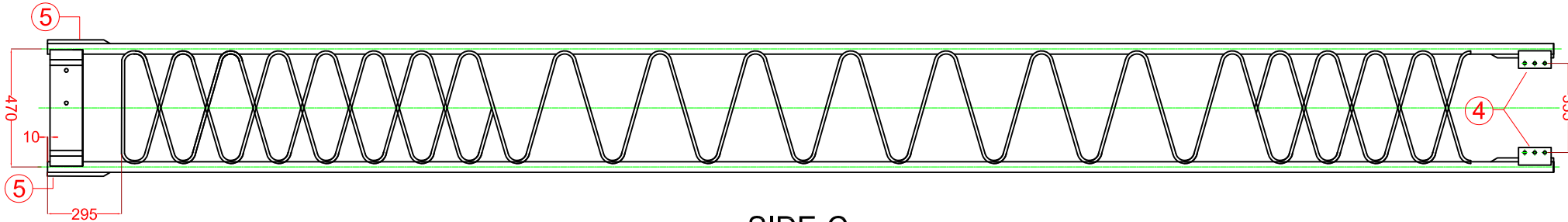
DRAWN BY:	DATE:
J.FUJIWARA	JUNE 2015



SIDE-A

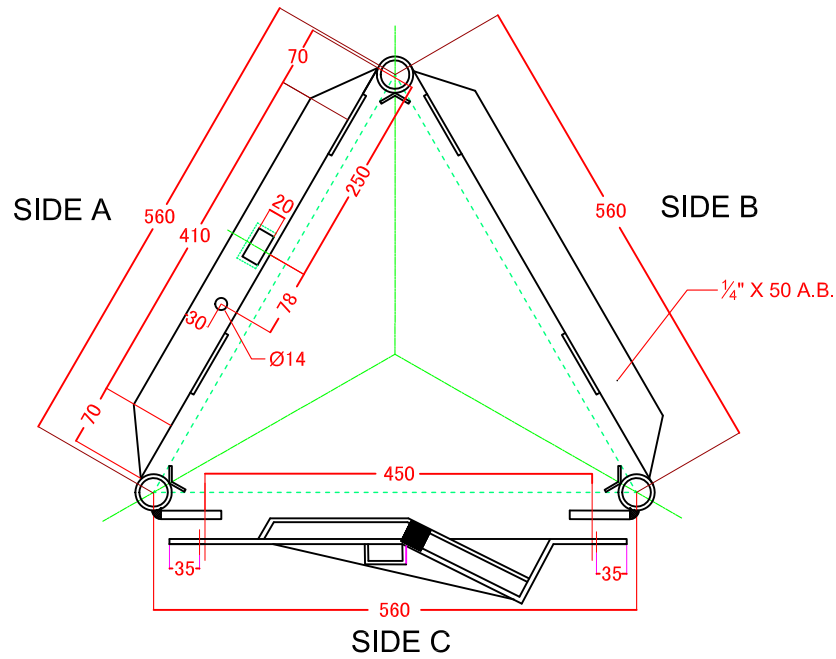


SIDE-B

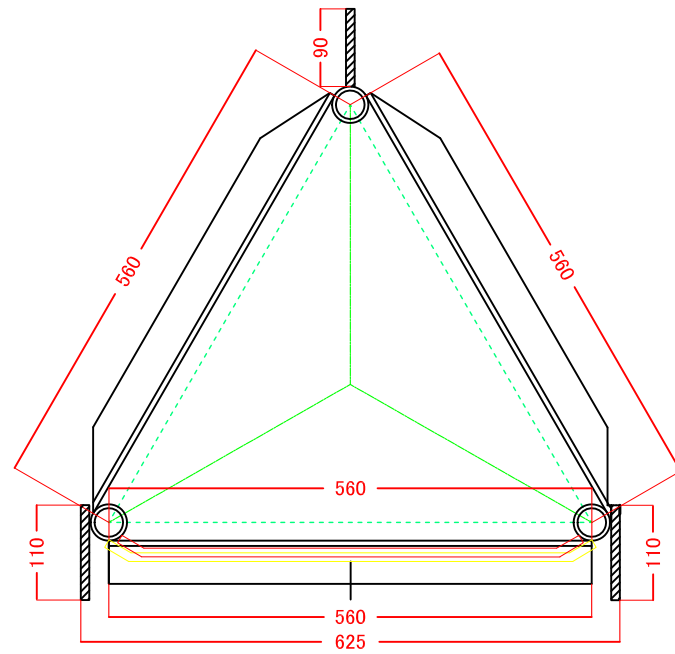


SIDE-C

FDX-421	2nd Column SIDE A,B & C DETAILS	F T I	
		DRAWN BY: J.FUJIWARA	DATE: JUNE 2015



TOP VIEW



Bottom View

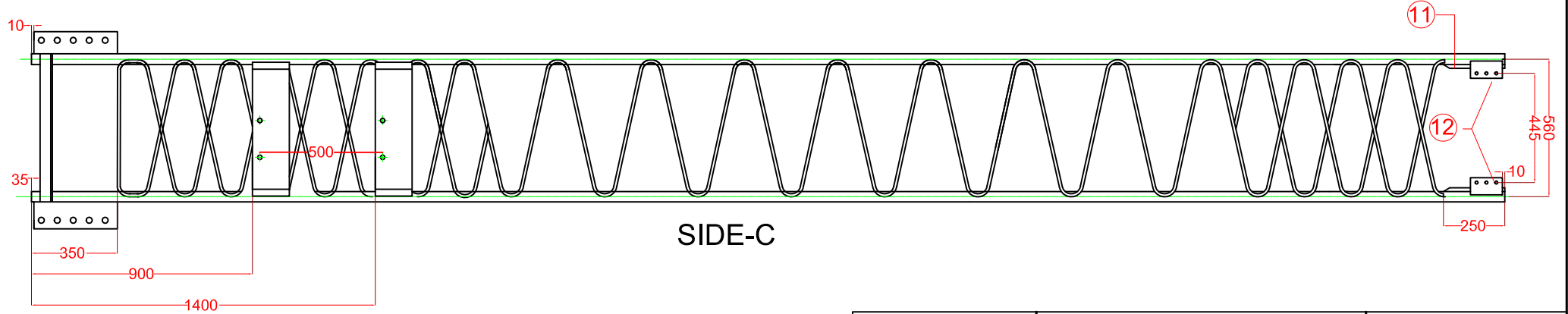
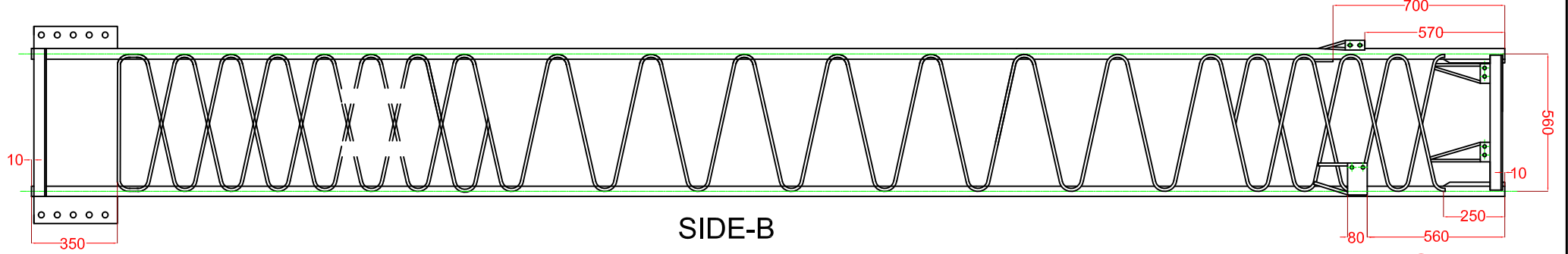
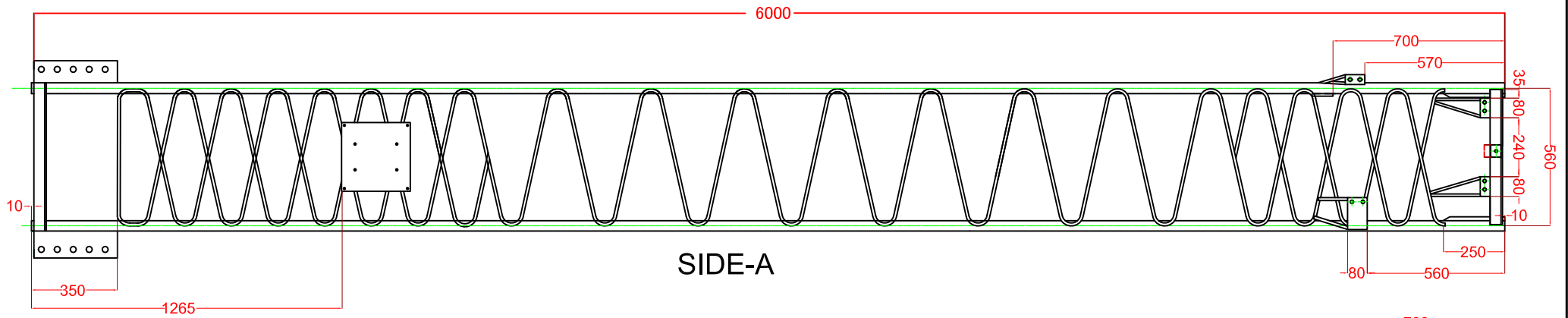
FDX-421

1st Column

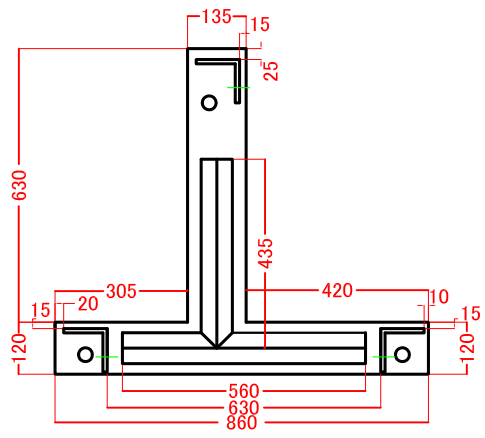
FTI

DRAWN BY:
 J.FUJIWARA

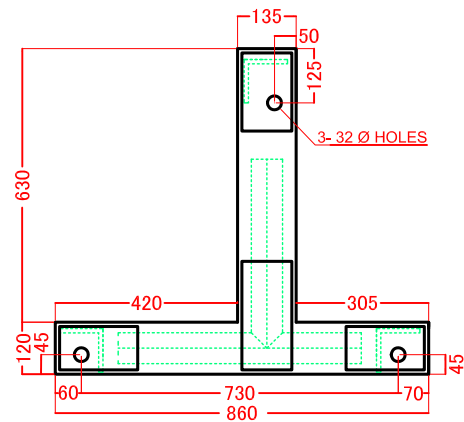
DATE:
 JUNE 2015



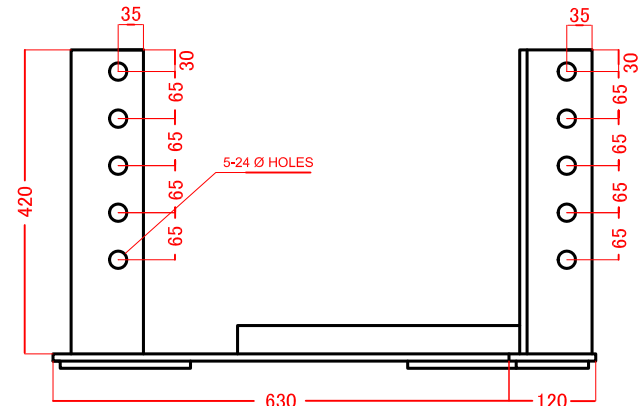
FDX-421	1st Column SIDE A,B & C DETAILS	F T I	
		DRAWN BY: J.FUJIWARA	DATE: JUNE 2015



TOP VIEW



BOTTOM VIEW



SIDE VIEW

FDX-421

T-BASE

FTI

DRAWN BY:

DATE:

J.FUJIWARA

JUNE 2015